

# Retractable Dock Shelter

## Model DR300



### Specification

The DR300 Retractable Dock shelter is manufactured from a 60mm x 30mm galvanised steel box section main frame with 30mm x 30mm galvanised steel box section cantilever arms bolted to the front and back beams which are pivoted at each end to allow the shelter to retract against the building in the event of vehicle impact.

The cantilever arms allow the shelter to retract under impact from a mis-aligned vehicle, once the mis-aligned vehicle pulls away the shelter will return to its original position under its own weight.

The side and roof frames are clad in a 600gm flexible PVC/Polyester waterproof fabric with the front beam being 100mm lower than the rear beam to allow water to run-off.

Each side curtain is fitted with vehicle guide marks to aid docking, and the head curtain can also be equipped with an adjustable head curtain to match to varying heights of vehicles.

Shelters can be fitted with corner pads in the base of the shelter as an additional seal

### Structural Requirements

The standard size for this shelter is 3500mm wide x 3500mm high. The side curtains are 700mm wide and the head curtain is a 1200mm standard size. The shelter has a standard projection of 600mm and sits on support brackets typically 1200mm above ground level.

The Dock Shelters are available either as dock mounted, ground level or non-protruding versions and can also be supplied with draft curtains

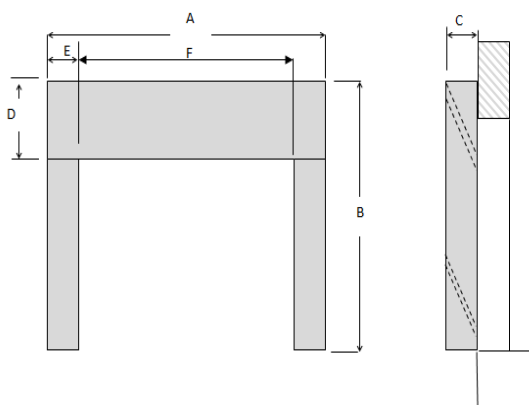


Photo showing retractable arms and corner pads



### Options

- Adjustable head
- Logos to head curtain
- Laminate head curtain
- Draft curtains
- Alternative curtain sizes to suit vehicle
- Corner pads
- Colours to suit building requirements

| A    | B    | C   | D    | E   | F    |
|------|------|-----|------|-----|------|
| 3500 | 3500 | 600 | 1200 | 700 | 2100 |

Hinged Lip Levellers

Telescopic Lip Levellers

Pit Mounted and Suspended

Edge of Dock Levellers

Wheel Guides

Bollards

Sliding Bumpers

Bumper Plates

Insulated Inflatable Shelters

Non-Insulated Inflatable Shelters

Retractable Shelters

Adjustable Head Retractable

Static Shelters

Plain Fascia Dock Seals

Dock Seals with wear Plates

Mobile Dock Seals

Rubber Bumpers

Control Panels

Dock/Traffic Lights

Fitting Service